



DESK TOP PLUG-IN NON-DIMMABLE LED Driver

SKU#: PW1207/ PW2403A5

1. Features

- Class2 Constant Voltage Output, 12Vdc or 24Vdc; Input 100-240 Vac;
- Built-in active PFC Function, Efficiency up to 87%
- Full Loaded, In-door Use
- Protections: Short Circuit/Over Load
- Suitable for LED Lighting

2. Mechanical Features

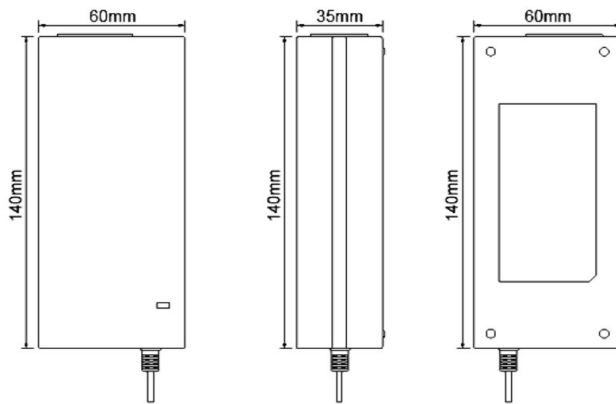
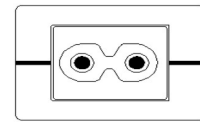


Figure 1 Dimensions



C8

Figure 2 Two Pin Power Input

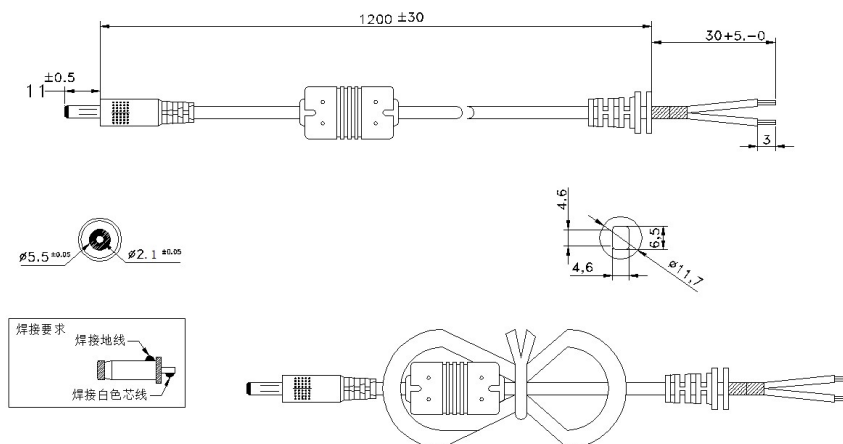


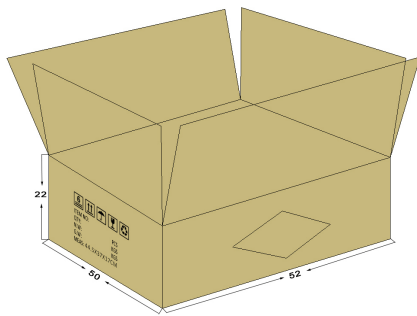
Figure 3: DC Output Cord

MODEL NO.:	PW1207 / PW2403A5	DESIGEND NO.:	
------------	-------------------	---------------	--

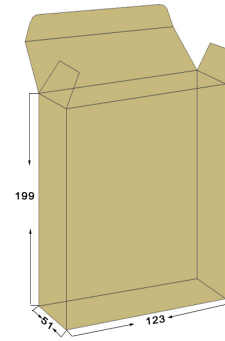
3. Electrical Features

Items		PW1207	PW2403A5
		Input	Rated Input Voltage
	Efficiency	>= 87%	
Output	Rated Output	12Vdc, 7A	24 Vdc, 3.5A
	Rated Power	84W	
	Load Regulation	+/-5%	
	Turn On Delay Time	3 S Max	
Protection	Short Circuit	Hiccup; Will back to work status when the fault condition removed	
	Over Load		
Environment	Work Temp/ Humidity	-20 to 40 C; 20% ~ 70%	
	Storage Temp/Humidity	-40 to 85C; 10~ 75%	

4. Package Features



a. Outer package: 52*50*22CM

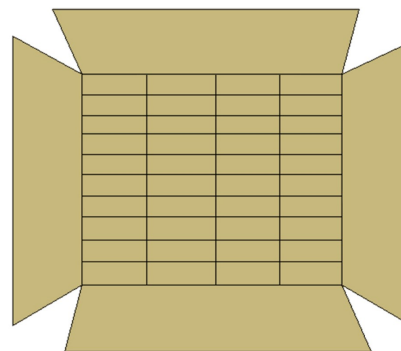


c. /inner box:199*123*51MM



ITEM NO:
 QTY: PCS
 N.W: KGS
 G.W: KGS
 MEAS: 52 X 50 X 22 CM

b:Left side



d: package (40PCS/Box)

MODEL NO.:	PW1207 / PW2403A5	DESIGEND NO.:	
------------	-------------------	---------------	--